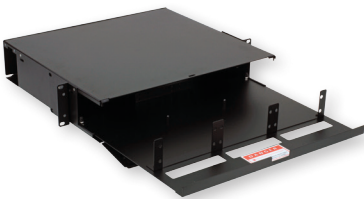


## Xpress Fiber Management® (XFM) 2RU Patch Panel



The Xpress Fiber Management (XFM) 2U patch panel is a rack mountable interconnect point specifically designed to manage dense fiber applications. Based on the LGX® intermateability platform, the panel is fully compatible with AFL's XFM Optical Cassette, Passive Optical Coupler Modules, and Poli-MOD® solutions. This panel offers enhanced management of densities up to 144 fibers using MTP-LC XFM Optical Cassettes (24 fibers).

### Features

- Steel construction
- Textured black powder coat finish
- Universal WECO/TIA 19"/23" rack compatibility
- (6) LGX 118 adapter plate / module mounting positions
- Slide-out tray with relief cut-outs for simplified connector access
- Optional front door key lock for heightened protection of internal components

### Applications

- Data Centers
- Enterprise Networks
- Telecommunications Closets
- Central Offices / Headends

### Specifications

DEPTH (A) IN INCHES	WIDTH (B) IN INCHES	HEIGHT (C) IN INCHES	RACK UNITS	CAPACITY	UNLOADED WEIGHT
15.5	17	3.5	2	(6) LGX 118	15 lbs.

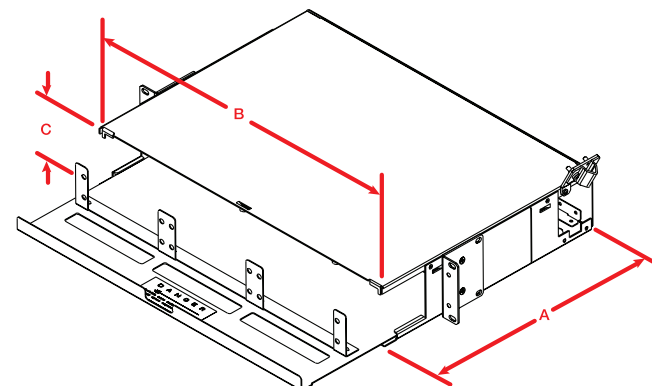
### Ordering Information

All cable clamps offered separately so that customers may choose the correct clamp for their application.

DESCRIPTION	MODEL NUMBER	AFL NO.
Xpress Fiber Management 2U Patch Panel, Black, Empty	XFM-2-U-B-0	FM002712-BE

### Accessories

DESCRIPTION	AFL NO.
Kit, Lock, for CON/CNS Panels	FM001318



Made in USA

LGX is a registered trademark of Furukawa Electric North America, Inc.