

Compact Series Telephone Security and 6-Way Video Panel

APPLICATION

The Leviton Compact Series Telephone Security and 6-way Video Panel combines a Telephone Security Board and a 6-way 1 GHz Video Splitter in a dedicated plastic bracket for essential telephone and video distribution. It handles up to four telephone lines through to seven telephone connections with security interface and is suitable for phone, fax, or modem. The Telephone Security and 6-way Video Panel features video output for up to six video connections.



FEATURES

- Handles up to four telephone lines through to nine locations, and routes video to six locations.
- Panel includes a plastic mounting bracket, Security Telephone Board, and a 6-Way 1 GHz Video Splitter

DESIGN CONSIDERATIONS

- Fits easily into any Leviton Structured Media® enclosure, or can be used as a stand-alone unit
- Determine outlet locations and carefully plan cable routing to ensure the selected board satisfies requirements
- Install 75 Ohm termination caps on unused outputs of 6-way 1 GHz Video Splitter to reduce signal distortion or “ghosting”
- Supports security systems via RJ-45-style interface with on/off (bypass) switch

STANDARDS COMPLIANCE

- cULus Listed
- ANSI/TIA-568-C.2
- ANSI/TIA-1096-A

PHYSICAL SPECIFICATIONS

Dimensions: See page two

Materials: **Bracket:** ABS plastic, white

1x7 Telephone Security Board: Printed circuit board with seven bridged 4-pair 110-Type IDC connectors and security jack with switch

6-way 1 GHz Video Splitter: Die-cast housing and printed circuit board construction

SPECIFICATION

The Leviton Compact Series Telephone Security and 6-Way Video Panel shall be cULus Listed, and ANSI/TIA-568-C.2 and ANSI/TIA-1096-A compliant. The unit shall distribute up to four telephone lines through to seven telephone connections with a security interface, making it suitable for phone, fax, or modem. The unit also features video output for up to six video connections. The unit shall include a plastic mounting bracket, Telephone Security, and 6-way 1 GHz Video Splitter. It shall fit into any Leviton Structured Media enclosure, or be used as a stand-alone unit.

COUNTRY OF ORIGIN

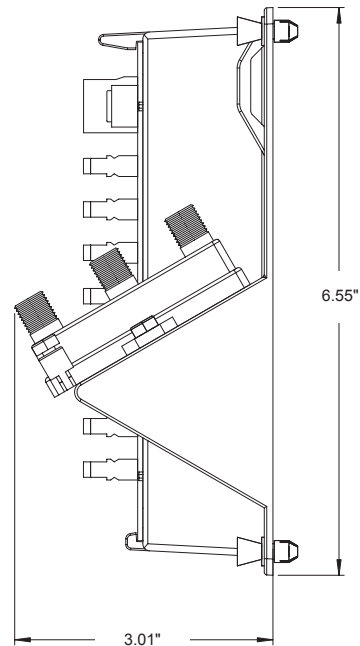
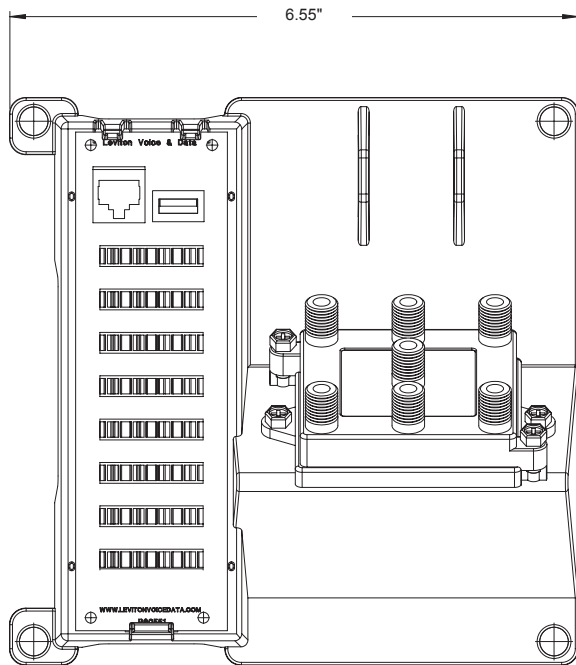
USA

WARRANTY INFORMATION

For a copy of Leviton product warranties, visit www.leviton.com/warranty.

ELECTRONIC FILES

For CAD files, typical specs, or technical drawings (.DXF, .DWG), visit www.leviton.com.



47603-TSV

PART NUMBERS

Description	Part No.
Compact Series Telephone Security and 6-Way Video Panel	47603-TSV



Leviton Network Solutions
2222 - 222nd St. SE
Bothell, WA 98021-4416

Asia / Pacific
T +1.631.812.6228
E infoasean@leviton.com

Canada
T +1.514.954.1840
E pcservice@leviton.com

Caribbean
T +1.954.593.1896
E infocaribbean@leviton.com

China
T +852.2774.9876
E infochina@leviton.com

Colombia
T +57.1.743.6045
E infocolombia@leviton.com

tel 1-800-824-3005
tel +1-425-486-2222
appeng@leviton.com
www.leviton.com

Europe
T +33.6.8869.1380
E infoeurope@leviton.com

India / SAARC
T +971.4.886.4722
E infoindia@leviton.com

Mexico
T +52.55.5082.1040
E lsamarketing@leviton.com

Middle East & Africa
T +971.4.886.4722
E lmeinfo@leviton.com

South Korea
T +82.2.3273.9963
E infokorea@leviton.com