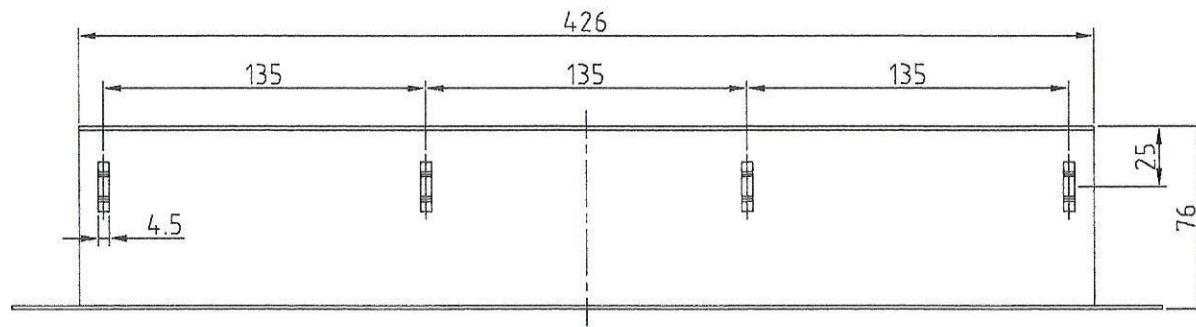
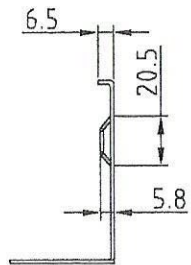
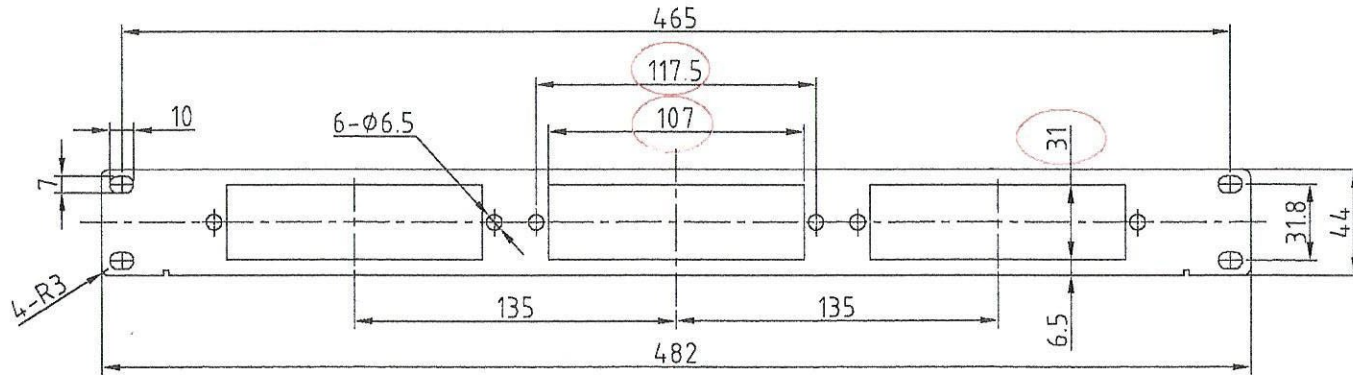


A B C D E F G H

Rev	Description	Revised	Date



Tolerance Table								Title	1U FLUSH MOUNT LGX PANEL		Part Name	MER1B
	0.5-3	3-6	6-30	30-120	120-400	400-1000	1000-		Drawing No	06-3001P08		
○F	±0.05	±0.06	±0.10	±0.15	±0.20	±0.30	±0.50	Design	2016-4-13	Treatment		
●M	±0.10	±0.10	±0.20	±0.30	±0.50	±0.80	±1.20	Check		Material	SPCC T=1.5	P/N:
○C	±0.20	±0.30	±0.50	±0.80	±1.20	±2.00	±3.00	Approve		Scale: 1:1	Unit:mm	ver: 1.1
○V		±0.50	±1.00	±1.50	±2.50	±4.00	±6.00					Page 1 of 1

Angle±0.5