

TILE REPLACEMENT LOUDSPEAKERS

SYSTEM 12/VC

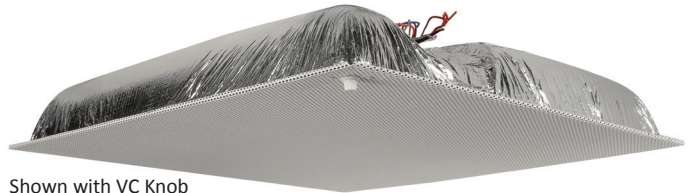
2' x 2' CLASS

**8" O.D. Loudspeaker,
5W-25/70V Transformer, Volume Control**



GENERAL DESCRIPTION

The **SYSTEM 12/VC** is a complete, shallow depth, lightweight, 2' x 2' ceiling tile replacement loudspeaker system consisting of an 8C5PAX - 8" O.D. dual cone loudspeaker with a 5 oz. magnet and a TBLU - 5W-25/70V transformer with screwdriver or knob adjusted volume control. Molded fiber enclosure is 1,412 CID. Powder coated steel baffle with standard perforation and five (5) seismic tie-off points. The cable clamp is included. No assembly required.



Shown with VC Knob

INTENDED USE - Indoor Environment

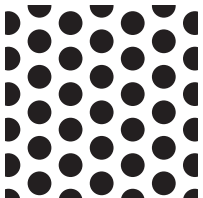
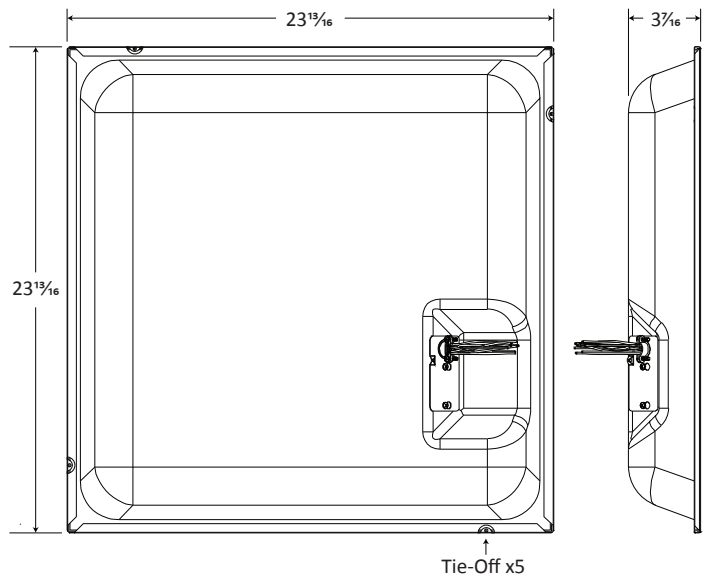
Program Material	Signal tones, voice, and music
Installation	Mounted parallel to floor plane in a 24" wide suspended ceiling tile grid.

AUDIO SPECIFICATIONS

Average Sensitivity	92 dB SPL, 1W/1M
Loudspeaker Power Rating	12W RMS EIA 426A Standard
Maximum Power Rating	15W @ 8 Ohms
Calculated Output	99 dB-SPL 5W/1M
Magnet Type & Weight	BeFe Ceramic, 5 oz. Nominal
Frequency Response	65 Hz - 17 kHz EIA 426A Standard
Nominal Coverage Angle	100° Included Angle -6 dB / 2 kHz, Half space
Audio Connection	4" Color-Coded Leads
Unit Weight	6.20 Lbs

SYSTEM COMPONENTS

Loudspeaker	8C5PAX
Transformer	5W-25/70V : 5 Tap, Color Coded Leads (5W, 2.5W, 1.25W, 0.63W, 0.31W)



Standard Perforation Pattern
Shown as 1" Square Sample

Recommended construction sequences, installation instructions, and A&E Specifications are available in various formats in the Specs and Diagrams section at:
www.QuamSpeakers.com

© 2016 Quam-Nichols Company reserves the right to make changes and/or improvements to its products at any time and without notice.



QUAM-NICHOLS COMPANY, INC.
234 East Marquette Road. Chicago, IL. 60637
t: 1-800-NEED-NOW (800-633-3669)
f: 1-888-NEED-NOW (888-633-3669)
e: NeedNow@QNC.com
www.QuamSpeakers.com