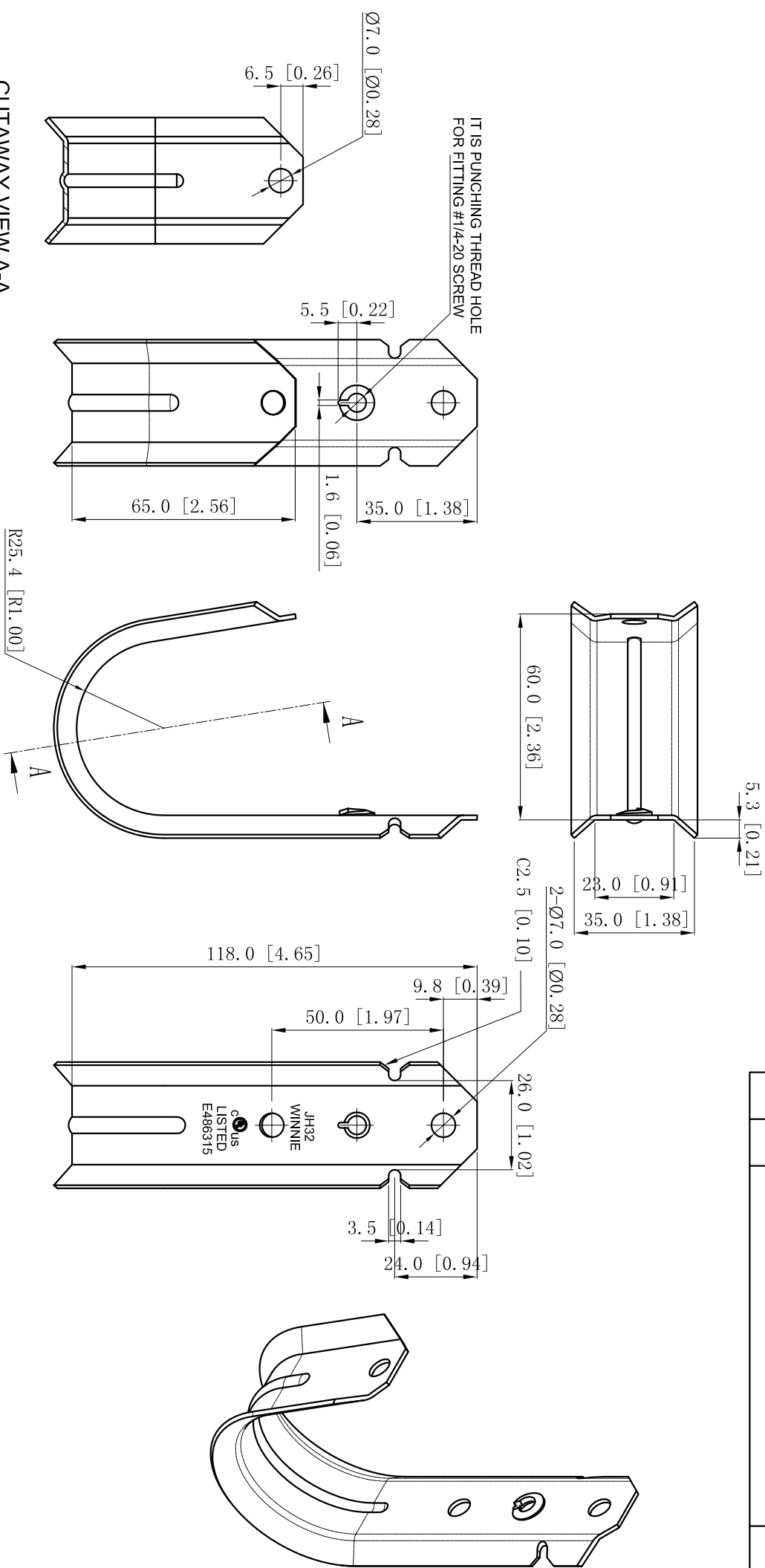


REVISIONS		
SYM.	BY.	DATE
A		



NOTES:

1. All dimensions in millimeters and [inches];
2. Free of sharp edge and burrs, max burr 0.127[0.005].
3. Material: Pre galvanized (G60), Thickness: 1.35mm [0.053].
4. Qty/Ctn: 100pcs.
5. Every carton need one instruction sheet, the instruction need pring front and back.

WINNIE INDUSTRIES		
SIZE	DWG NO.	REV
A4	W-JH32	